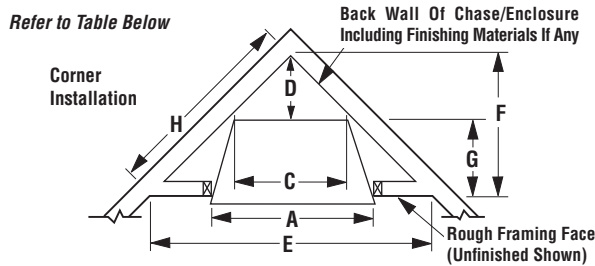


# VRT2536WS AND VRT2542WS

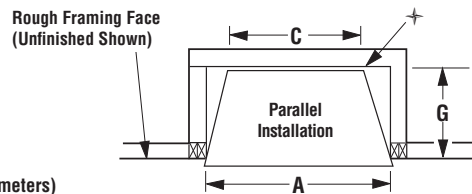
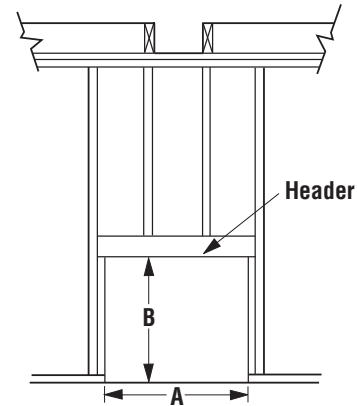
## VENT-FREE FIREBOXES

Framing Dimensions

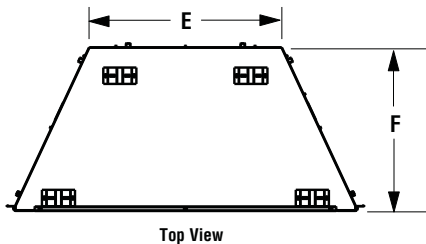


Framing Dimensions		
Dim.	VRT2536	VRT2542WS
A	42-1/4 (1073)	48-1/4 (1226)
B	40-1/4 (1022)	40-1/4 (1124)
C	23-5/8 (600)	29-5/8 (753)
D	11-1/4 (286)	15-1/4 (387)
E	63-1/2 (1613)	69-3/4 (1772)
F	31-3/4 (807)	34-7/8 (886)
G *	20-1/2( 521)	20-1/2( 521)
H	44-1/4 (1124)	49-3/8 (1254)

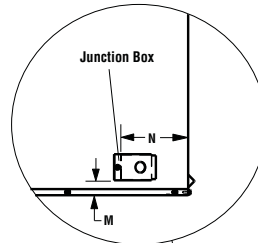
\* Back wall of chase/enclosure including finishing materials, if any.



Inches (millimeters)



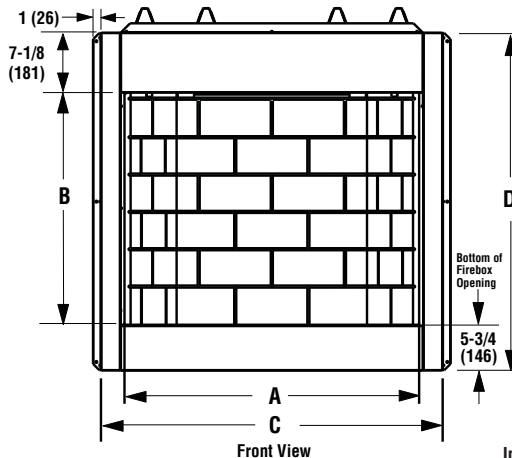
Top View



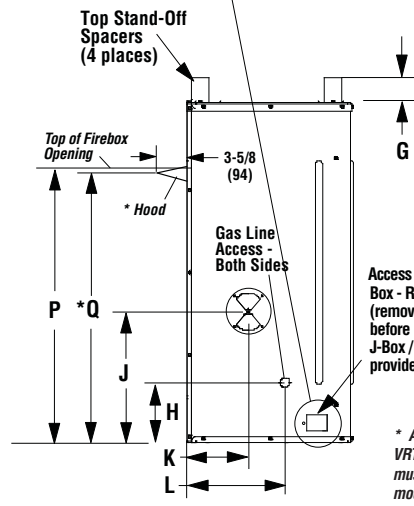
Interior Firebox Dimensions**		
Firebox Model	36"	42"
Front Width	35 (889)	41 (1042)
Rear Width	23-1/4 (591)	29-1/4 (743)
Depth	17-3/8 (441)	17-3/8 (441)
Height	24 (610)	24 (610)

\* Dimensions are to assist you in selecting a log set that is a compatible size.

Fireplace Dimensions



Front View



Inches (millimeters)

Right Side View

Access Opening for Junction Box - Right Side Only (remove the knock-out before installing J-Box). J-Box / Electrical Kit is not provided with appliance.

\* A hood comes standard and is required for models VRT2536WS and VRT2542WS. The factory-supplied hood must be installed on the firebox for safe operation, for these models, in ALL INSTALLATIONS.

Model No.	A	B	C	D	E	F	G	H	J	K	L	M	N	P	*Q
VRT2536	36 (914)	24 (610)	41-3/4 (1061)	37-1/4 (946)	23-1/2 (597)	20 (508)	3 (76)	7-3/8 (187)	15-7/8 (403)	7-1/2 (190)	12 (305)	1-3/8 (35)	5-1/2 (140)	30-3/8 (772)	29-5/8 (753)
VRT2542	42 (1067)	24 (610)	47-3/4 (1213)	37-1/4 (947)	29-1/2 (749)	20 (508)	3 (77)	7-3/8 (188)	15-7/8 (404)	7-1/2 (191)	12 (305)	1-3/8 (35)	5-1/2 (140)	30-3/8 (772)	29-5/8 (753)

# VRT2536WS AND VRT2542WS

Product Info

Cat. No.	Model	Shipping Weight (lbs)	Shipping Volume
F0322	VRT2536WS	150 lb.s	21.4 Cu. Ft.
F3304	VRT2542WS	130 lb.s	24 Cu. Ft.

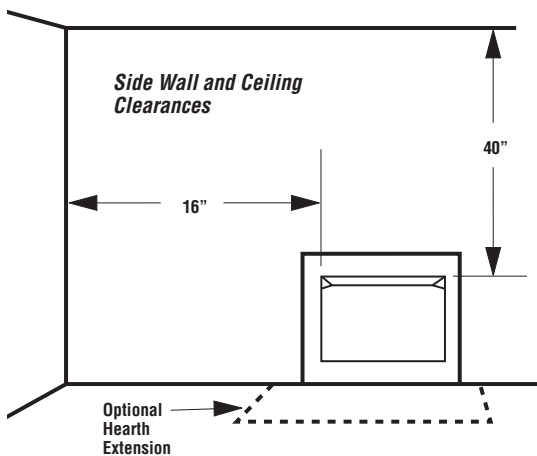
Listing



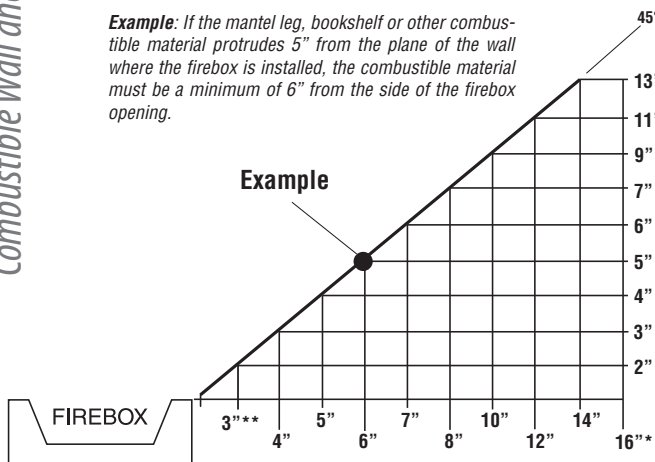
Report No. F14-168

These appliances comply with National Safety Standards and are listed by PFS Corporation to ANSI Z21.91 Ventless Firebox Enclosures for Gas-Fired Unvented Decorative Room Heaters and is approved for use with appliances listed to ANSI Z21.11.2 decorative type unvented room heaters.

Combustible Wall and Ceiling Clearances



**Example:** If the mantel leg, bookshelf or other combustible material protrudes 5" from the plane of the wall where the firebox is installed, the combustible material must be a minimum of 6" from the side of the firebox opening.



Top View

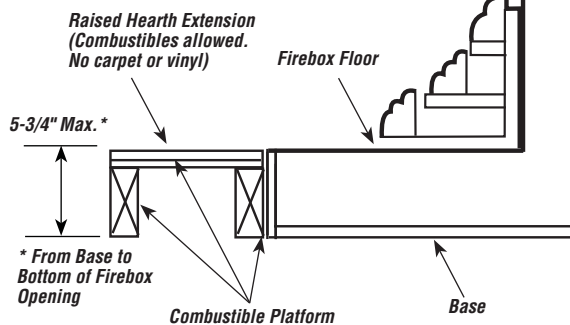
\* Minimum 16" from Side Wall  
\*\* No combustible material may be closer than 3" from the fireplace opening.

### Minimum Side Clearances to Combustibles

**NOTE:** Diagrams, illustrations and photographs are not to scale – consult installation instructions. Product designs, materials, dimensions, specifications, colors and prices are subject to change or discontinuance without notice.

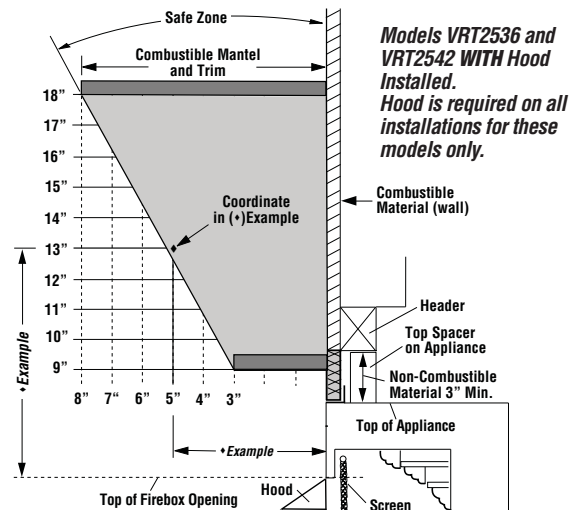
Framing Raised Hearth Extension

**Raised Hearth Extension**  
A hearth extension may be used but is not required for these appliances. A raised hearth extension may be used as shown.



Combustible Mantel and Trim Clearances

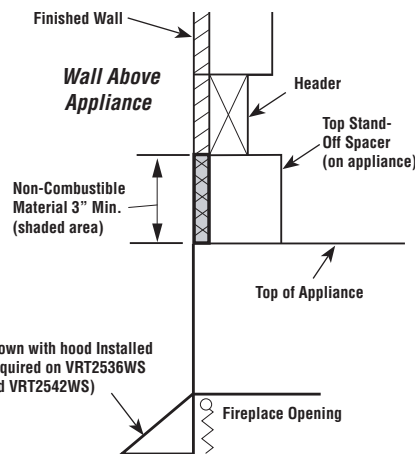
### Mantels - WITH Required Hood



**Models VRT2536 and VRT2542 WITH Hood Installed.**  
Hood is required on all installations for these models only.

♦ **EXAMPLE:** If you choose to install a mantel that projects 5", you will need to install it so that the bottom of the mantel and trim is approximately 13" or more above Firebox opening (see coordinate in shaded area above).

Combustible Wall Above Appliance



Shown with hood installed (required on VRT2536WS and VRT2542WS)